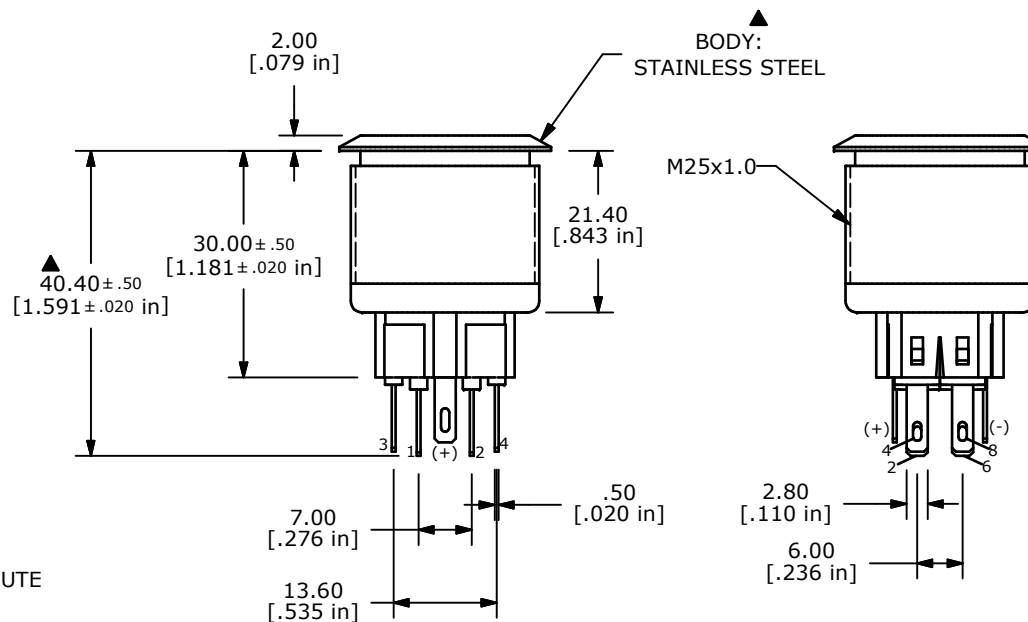
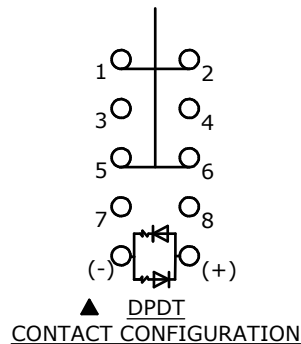
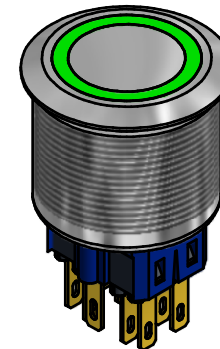
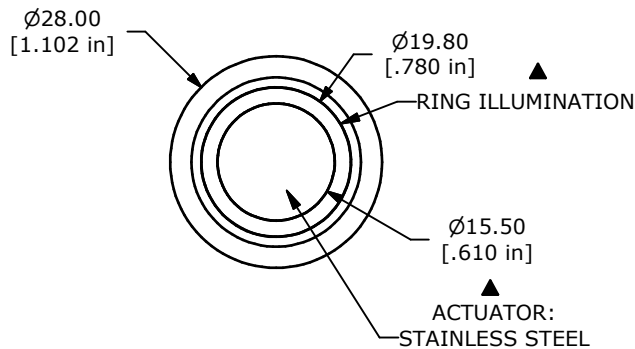


SWITCH FUNCTION ▲	
POS. 1	POS. 2
1-2, 5-6	3-4, 7-8

PANEL CUTOUT
MAX. PANEL THICKNESS 12mm



- NOTE:
- ALL DIMENSIONS IN MM [INCH]
 - GENERAL TOLERANCE: X.X = ± 0.4
X.XX = ± 0.25
 - TERMINAL NOS. FOR REF. ONLY
 - FUNCTION: DPDT MAINTAINED
 - RATING: 2A @ 48VDC
 - ILLUMINATION VOLTAGE: 12 V
 - CONTACT RESISTANCE: 50mΩ MAX. @ 1A 12VDC
 - INSULATION RESISTANCE: 1,000MΩ @ 500VDC
 - DIELECTRIC STRENGTH: 2,000VAC MIN. FOR 1 MINUTE
 - ELECTRICAL LIFE: 50,000 CYCLES
 - OPERATING TEMPERATURE: -20°C TO 55°C
 - INGRESS PROTECTION: IP65
 - ▲ DENOTES CRITICAL PARAMETER
 - 2002/95/EC (ROHS) COMPLIANT
 - ILLUMINATION COLOR: GREEN (FORWARD), GREEN (REVERSE)
 - CONTACT PLATING: SILVER
 - HARDWARE SUPPLIED: O-RING AND HEXNUT



TITLE PV8F2U0SS-334

A	21506	RELEASE FOR PRODUCTION	7/8/14	EBP
REV	PCR NO	DESCRIPTION	DATE	BY

THE INFORMATION CONTAINED IN THIS DOCUMENT IS PROPRIETARY TO E-SWITCH AND IS NOT TO BE COPIED OR TRANSFERRED

SCALE	DATE 7/8/2014	DR EBP	DWG 52-PV8F2U0SS334	REV A
-------	------------------	-----------	------------------------	----------